

材質 / 色 6ナイロン UL94V-2認定品 / 乳白 (W)・黒 (B)

環境対策 RoHS指令準拠

※φd: 2.0・2.6・3.0は図1の形状 ※φd: 3.5・4.0・5.0・6.0は図2の形状

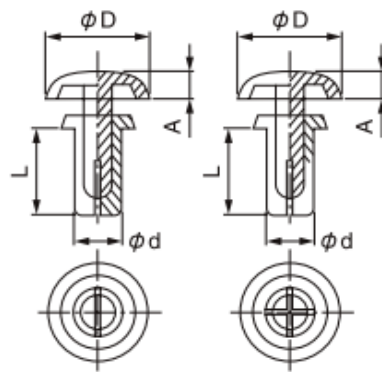


図 1

図 2

| 品番 | 取付孔(φ) | 適用板厚(t) | φd | L | φD | A | 抜去力 | 品番 | 取付孔(φ) | 適用板 |
|-------|--------|---------|-----|------|-----|-----|-------|-------|--------|------|
| P2024 | 2.1 | 0.6~1.2 | 2.0 | 2.4 | 4.2 | 1.2 | 29N以上 | P3555 | 3.6 | 3.2~ |
| P2032 | 2.1 | 1.3~2.0 | 2.0 | 3.2 | 4.2 | 1.2 | 29N | P3560 | 3.6 | 3.7~ |
| P2040 | 2.1 | 2.1~2.8 | 2.0 | 4.0 | 4.2 | 1.2 | 29N | P3570 | 3.6 | 4.7~ |
| P2048 | 2.1 | 2.9~3.6 | 2.0 | 4.8 | 4.2 | 1.2 | 29N | P3580 | 3.6 | 5.7~ |
| P2064 | 2.1 | 3.7~4.4 | 2.0 | 6.4 | 4.2 | 1.2 | 29N | P4050 | 4.1 | 2.5~ |
| P2632 | 2.7 | 1.0~2.0 | 2.6 | 3.2 | 5.0 | 1.4 | 49N | P4060 | 4.1 | 3.5~ |
| P2642 | 2.7 | 2.1~3.0 | 2.6 | 4.2 | 5.0 | 1.4 | 49N | P4070 | 4.1 | 4.5~ |
| P2648 | 2.7 | 2.7~3.6 | 2.6 | 4.8 | 5.0 | 1.4 | 49N | P4080 | 4.1 | 5.5~ |
| P2655 | 2.7 | 3.4~4.3 | 2.6 | 5.5 | 5.0 | 1.4 | 49N | P4090 | 4.1 | 6.5~ |
| P3035 | 3.1 | 1.0~2.0 | 3.0 | 3.5 | 6.4 | 1.6 | 78N | P4100 | 4.1 | 7.5~ |
| P3045 | 3.1 | 2.0~3.0 | 3.0 | 4.5 | 6.4 | 1.6 | 78N | P5045 | 5.1 | 1.5~ |
| P3055 | 3.1 | 3.0~4.0 | 3.0 | 5.5 | 6.4 | 1.6 | 78N | P5055 | 5.1 | 2.5~ |
| P3065 | 3.1 | 4.0~5.0 | 3.0 | 6.5 | 6.4 | 1.6 | 78N | P5065 | 5.1 | 3.5~ |
| P3075 | 3.1 | 5.0~6.0 | 3.0 | 7.5 | 6.4 | 1.6 | 78N | P5075 | 5.1 | 4.5~ |
| P3080 | 3.1 | 5.5~6.5 | 3.0 | 8.0 | 6.4 | 1.6 | 78N | P5085 | 5.1 | 5.5~ |
| P3090 | 3.1 | 6.5~7.5 | 3.0 | 9.0 | 6.4 | 1.6 | 78N | P5095 | 5.1 | 6.5~ |
| P3100 | 3.1 | 7.5~8.5 | 3.0 | 10.0 | 6.4 | 1.6 | 78N | P5105 | 5.1 | 7.5~ |
| P3535 | 3.6 | 1.2~2.1 | 3.5 | 3.5 | 6.4 | 1.6 | 118N | P6060 | 6.1 | 2.5~ |
| P3545 | 3.6 | 2.2~3.1 | 3.5 | 4.5 | 6.4 | 1.6 | 118N | P6080 | 6.1 | 4.0~ |
| P3550 | 3.6 | 2.7~3.6 | 3.5 | 5.0 | 6.4 | 1.6 | 118N | | | |

※上記品番には、色記号が省略されています。ご注文の際には、色記号を品番末尾に追記してください。(例 白の場合: P

[単位: mm]

| 厚(t) | ϕd | L | ϕD | A | 抜去力 |
|------|----------|------|----------|-----|--------|
| ~4.1 | 3.5 | 5.5 | 6.4 | 1.6 | 118N以上 |
| ~4.6 | 3.5 | 6.0 | 6.4 | 1.6 | 118N |
| ~5.6 | 3.5 | 7.0 | 6.4 | 1.6 | 118N |
| ~6.6 | 3.5 | 8.0 | 6.4 | 1.6 | 118N |
| ~3.5 | 4.0 | 5.0 | 8.0 | 1.8 | 196N |
| ~4.5 | 4.0 | 6.0 | 8.0 | 1.8 | 196N |
| ~5.5 | 4.0 | 7.0 | 8.0 | 1.8 | 196N |
| ~6.5 | 4.0 | 8.0 | 8.0 | 1.8 | 196N |
| ~7.5 | 4.0 | 9.0 | 8.0 | 1.8 | 196N |
| ~8.5 | 4.0 | 10.0 | 8.0 | 2.2 | 196N |
| ~2.5 | 5.0 | 4.5 | 9.0 | 2.2 | 245N |
| ~3.5 | 5.0 | 5.5 | 9.0 | 2.2 | 245N |
| ~4.5 | 5.0 | 6.5 | 9.0 | 2.2 | 245N |
| ~5.5 | 5.0 | 7.5 | 9.0 | 2.2 | 245N |
| ~6.5 | 5.0 | 8.5 | 9.0 | 2.2 | 245N |
| ~7.5 | 5.0 | 9.5 | 9.0 | 2.2 | 245N |
| ~8.5 | 5.0 | 10.5 | 9.0 | 2.2 | 245N |
| ~4.0 | 6.0 | 6.0 | 12.0 | 2.5 | 294N |
| ~5.5 | 6.0 | 8.0 | 12.0 | 3.0 | 294N |
| | | | | | |

2024W)

包装単位/1,000